

Course: Digital Drift System

Module 1.2:

Active Devices (v1)



RFI
TECHNOLOGY SOLUTIONS

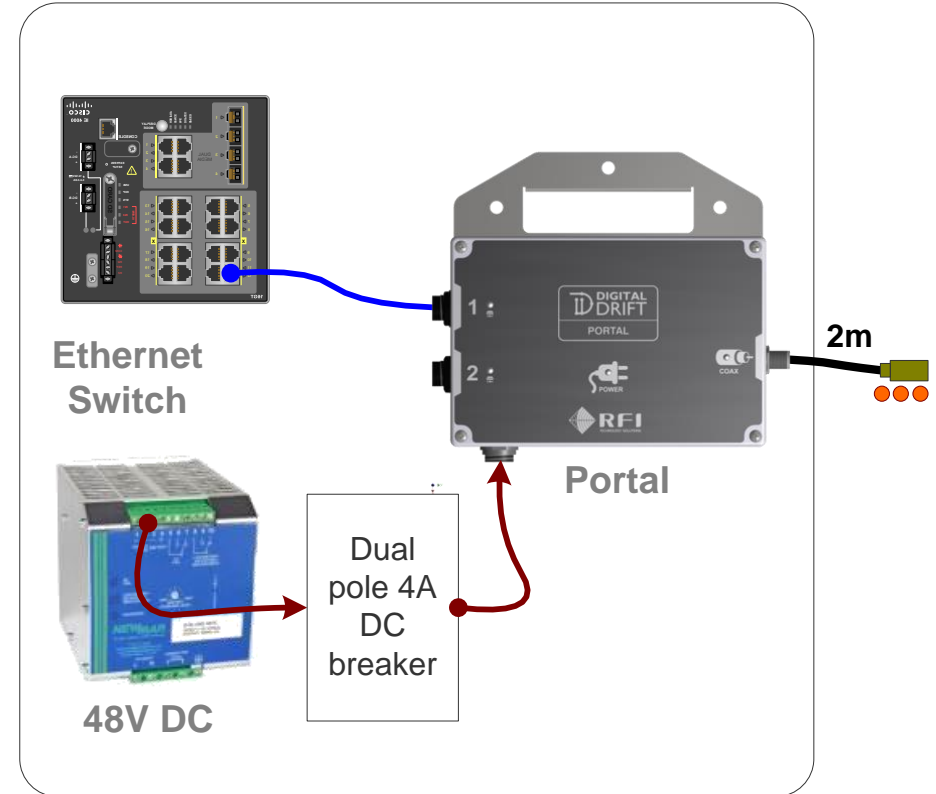


Digital Drift – Portals Wave 2 (DD220-PO)

The Portal is the Gateway between the distribution network (fibre) and the coax network.

Features:

- Combines the GbE and DC power (48 V) onto the coax cable
- Acts as the “Domain Master” for the coax segment
- Normally located at the launch point of a coax segment (e.g. substation, workshop, mine portal)



Digital Drift – Portals Wave 2 (DD220-PO) - Connections

GbE – 2 ports

- 1 Port to provide an uplink to the distribution network
- 1 port for trouble shooting



This is the connection to the cable segment that carries the Data and DC power.

NOTE- this is a 75 Ohm connection so only use the cable supplied with the unit

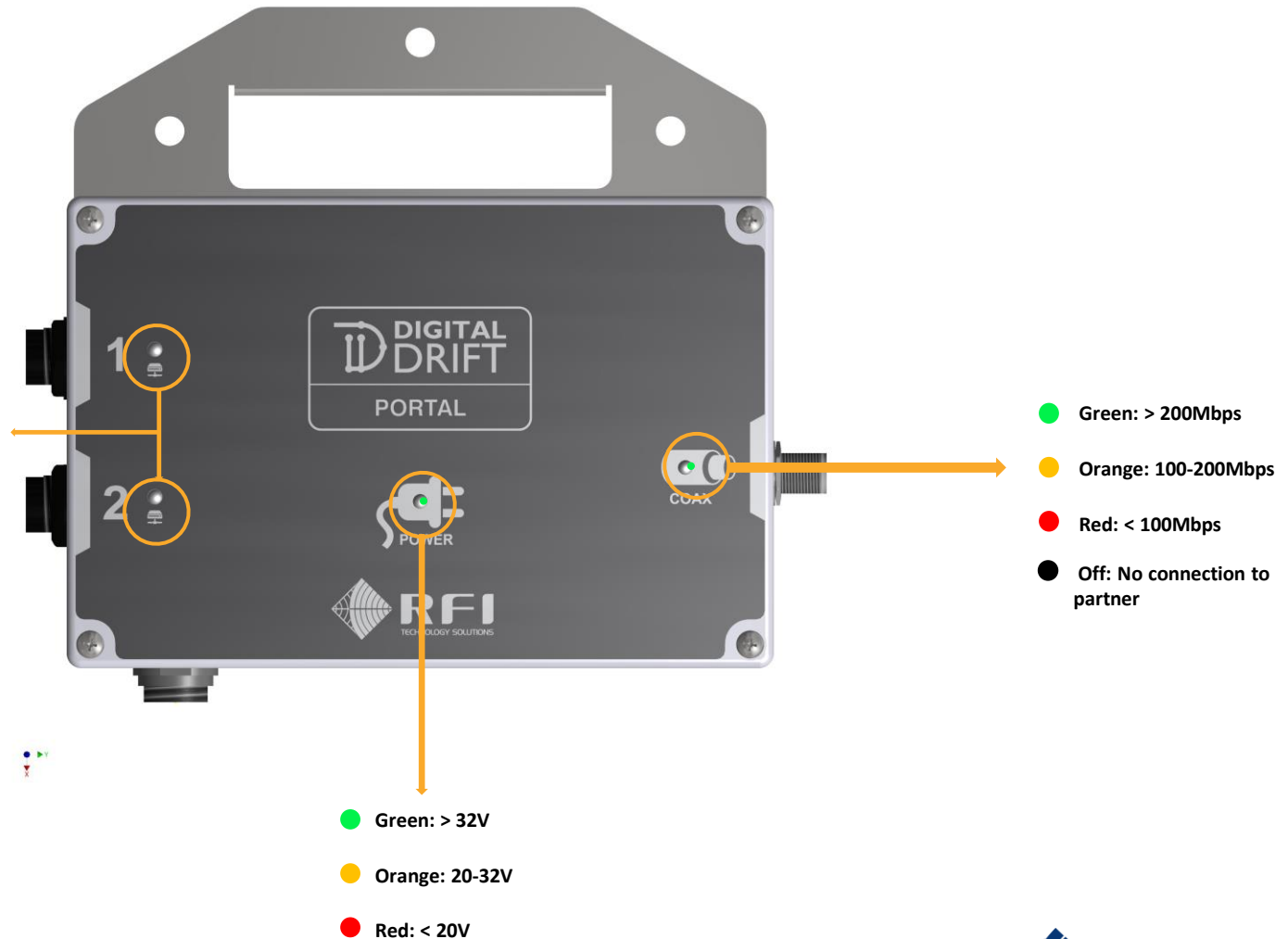


Power – This point can be used to inject power onto the coax but also to take power of the coax for local devices

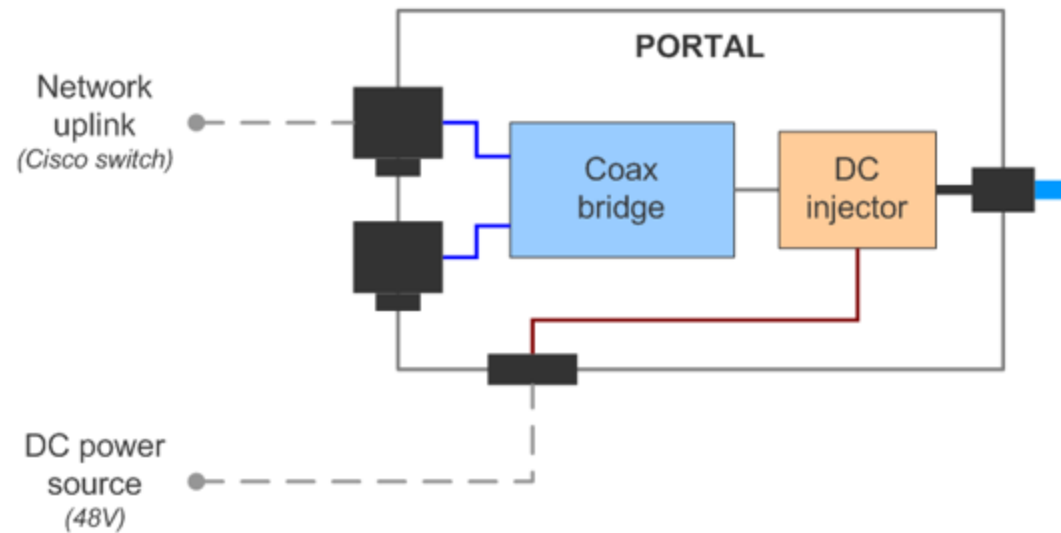
Digital Drift – Portals Wave 2 (DD220-PO) - Indicators

GbE – 2 ports

- These port indicators behave similar to a normal Ethernet ports where the LED will flash when data is being transferred.



Digital Drift – Portals Wave 2 (DD220-PO) - Diagram



Digital Drift – Portals Wave 2 (DD220-PO) - Configuration

Configuration:

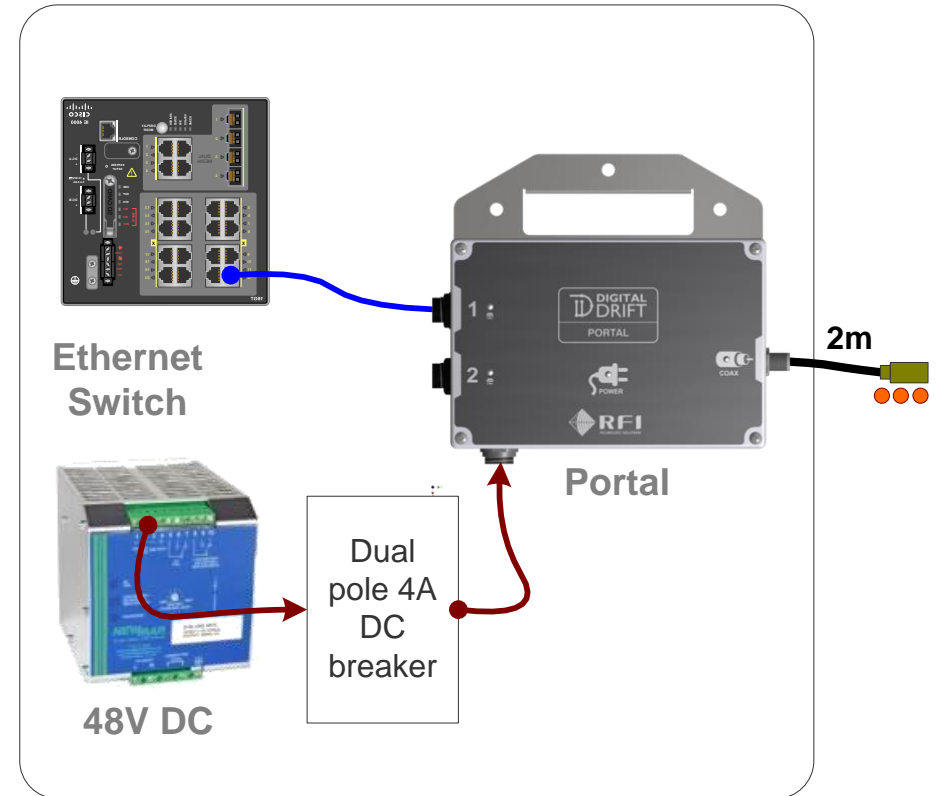
- None required
- Typically, only the “name” and “IP address details” are set

VLAN Support:

- None- packets pass between the GbE and the coax unmodified
- Management interface – will only respond to untagged frames

Typical launch point integration:

- Switch (Cisco or others)
 - VLAN Trunk
 - Management VLAN untagged
- DC Power – can include battery back up

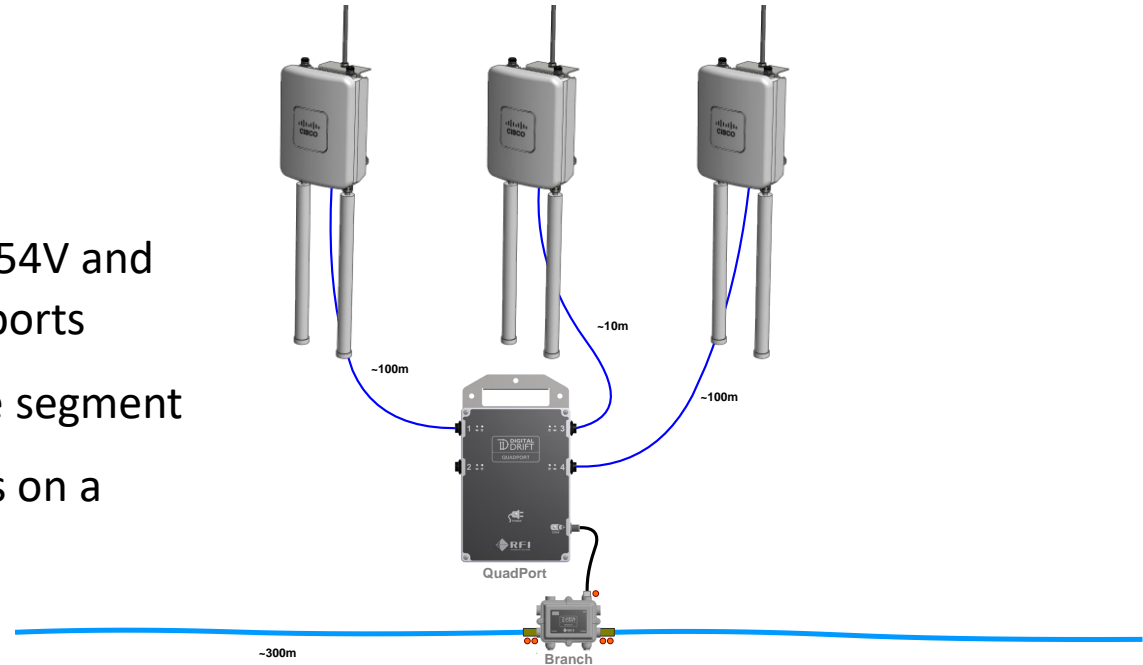


Digital Drift – Quad Port Wave 2 (DD220-QP-X)

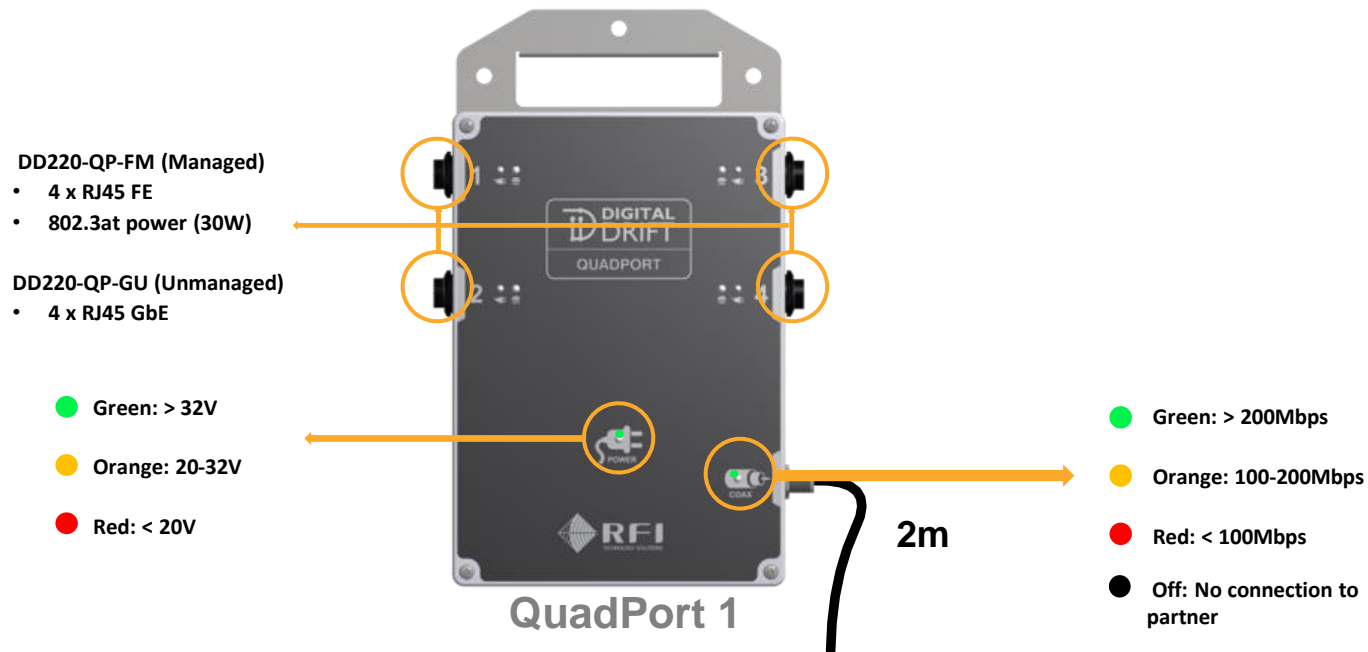
The Quad Port breaks out power and data from cable in POE format.

Features:

- Powers from the coax cable
- Converts this power from the cable to 54V and supplies this to end devices via 4 POE ports
- Can be located anywhere along a cable segment
- Always act as an Endpoint(i.e. two QP's on a cable segment will NOT link up)



Digital Drift – Quad Port Wave 2 – Connections/Indicators

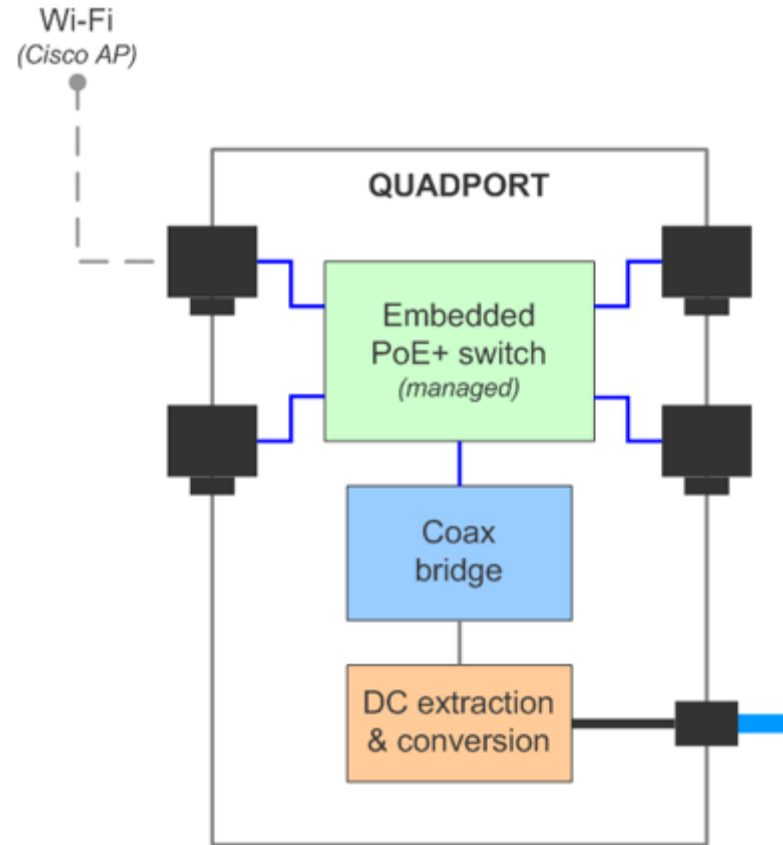


QuadPort 1

The coax connection supplies the power and Data to the QP.

NOTE – This is a 75 Ohm connection so only use the supplied RF Jumper.

Digital Drift – Quad Port (Managed) Wave 2 - Diagram



Digital Drift – Quad Port (Managed) Wave 2 - Configuration

The default access details for the switch is:

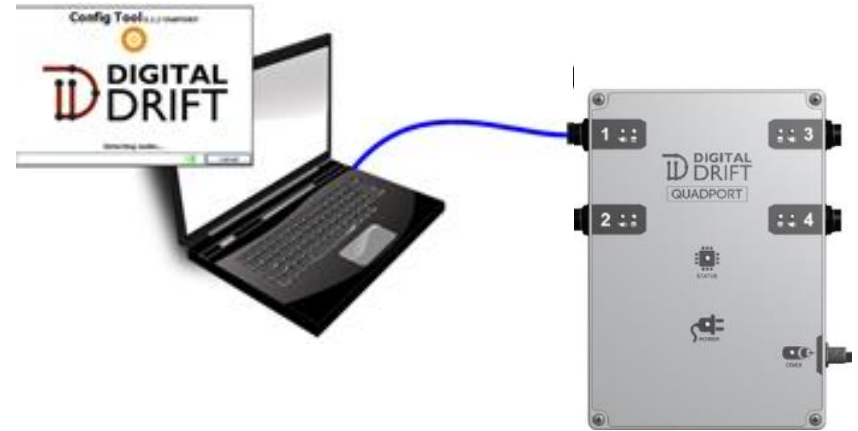
IP: 10.1.1.1

Username: admin

Password: blank (no password)

The menu of most use will be:

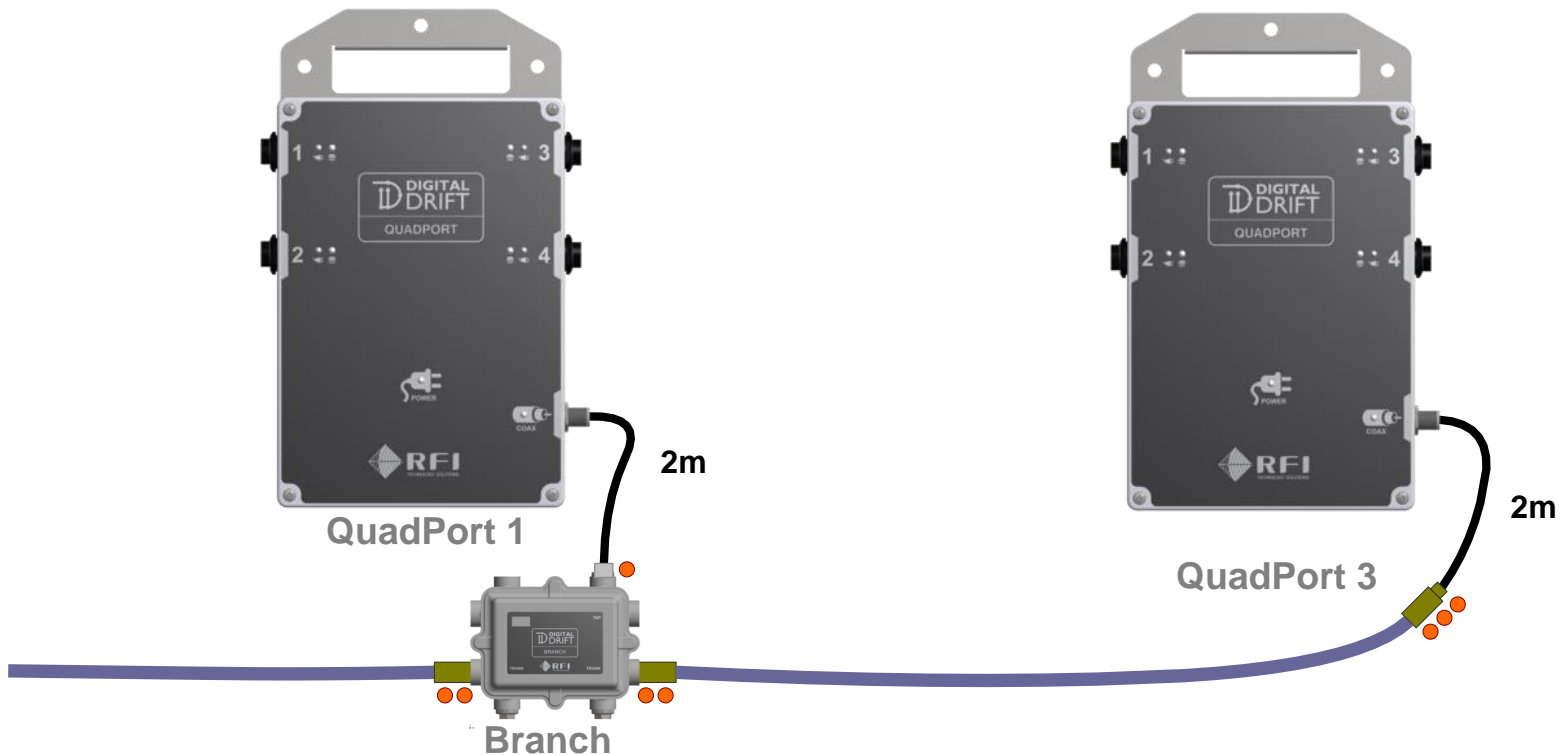
- VLAN
- PoE
- SNMP
- Security menu (for TACACS, etc)



- If the IP of the switch is unknown there are two ways to access it:
- “SwitchConfigurator” is a software package which can discover the switch as long as its management interface is on the port you are plugged into and it is untagged
- Second way is to:
 - power it off
 - plug a patch lead between port 1 and 2.
 - power it on
 - wait until the switch boots up it will cause a loopback obviously. When you see it flashing crazy unplug the patch lead
 - The switch is now at defaults until you power cycle it
 - This means you can plug into any of the four ports and access 10.1.1.1
 - You can now reconfigure it, but you must Save to flash before power cycling - otherwise it will boot up with the previously saved config

Digital Drift – Quad Port (Managed) Wave 2 - Integration

The Quad Port can be installed mid-span using a branch unit as per the left unit or end of line as per the right unit.

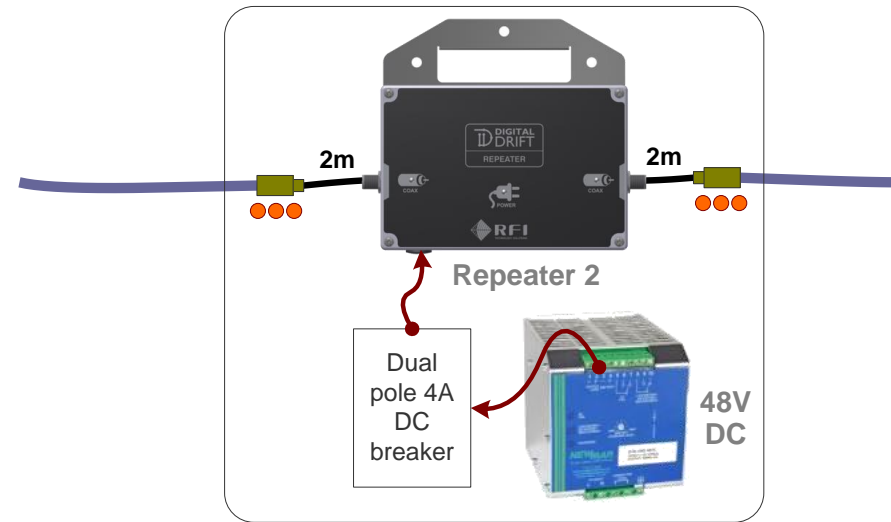


Digital Drift – Repeater Wave 2 - DD220-RP

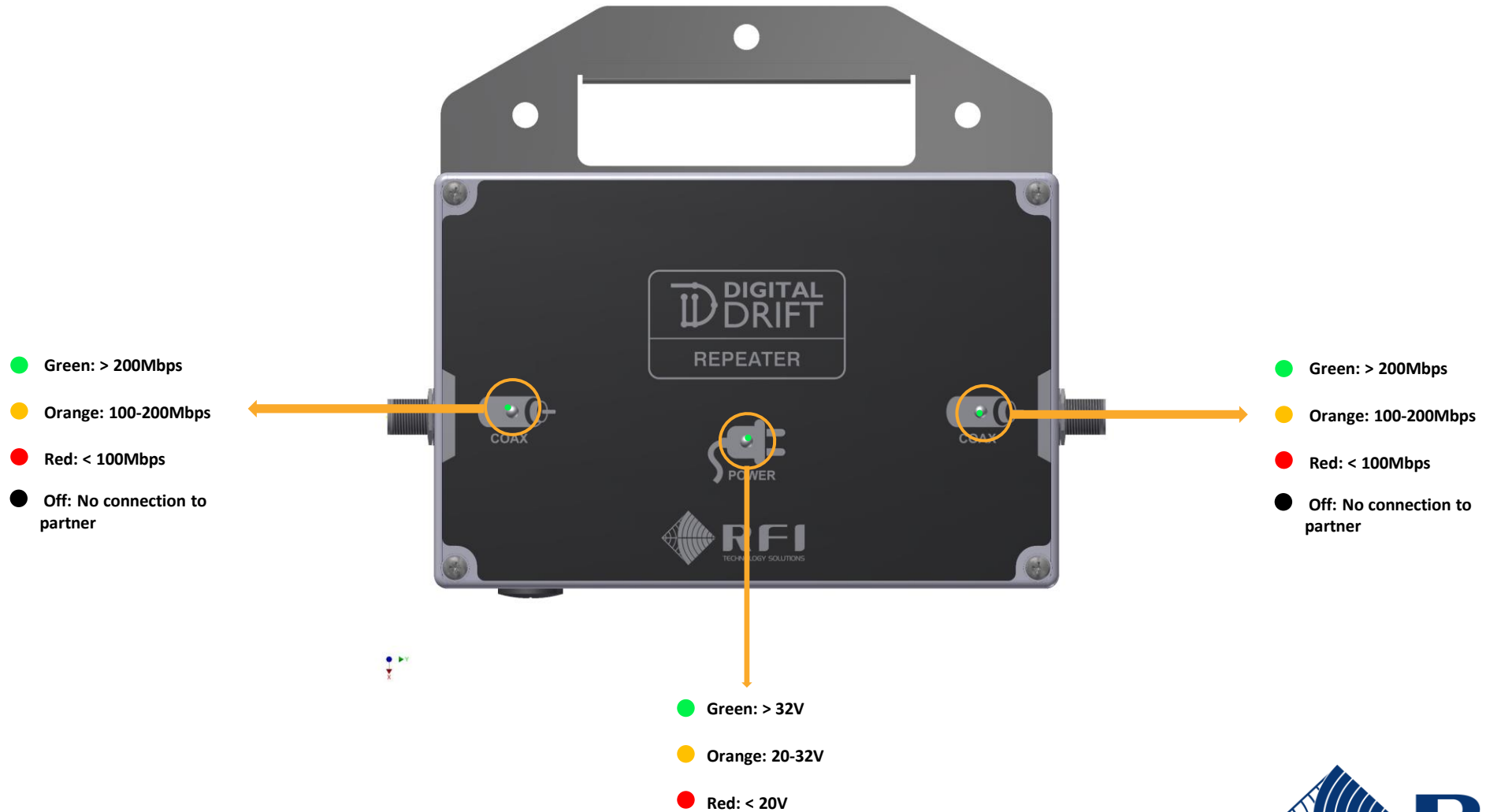
The Repeater extends communications by ending one cable segment and starting another.

Features:

- Can be powered from the coax or a local power supply
- Contains two coax interfaces (left and right) with a I2 switch in between
- DC power can be injected onto the “right” coax cable segment



Digital Drift – Repeater Wave 2 - Indicators



Digital Drift – Repeater Wave 2 - Connections

This is the connection to the upstream cable segment that carries the Data and DC power.

NOTE- this is a 75 Ohm connection so only use the cable supplied with the unit



This is the connection to the extended (new) cable segment

NOTE- this is a 75 Ohm connection so only use the cable supplied with the unit

Power – This point can be used to inject power onto the right-side coax

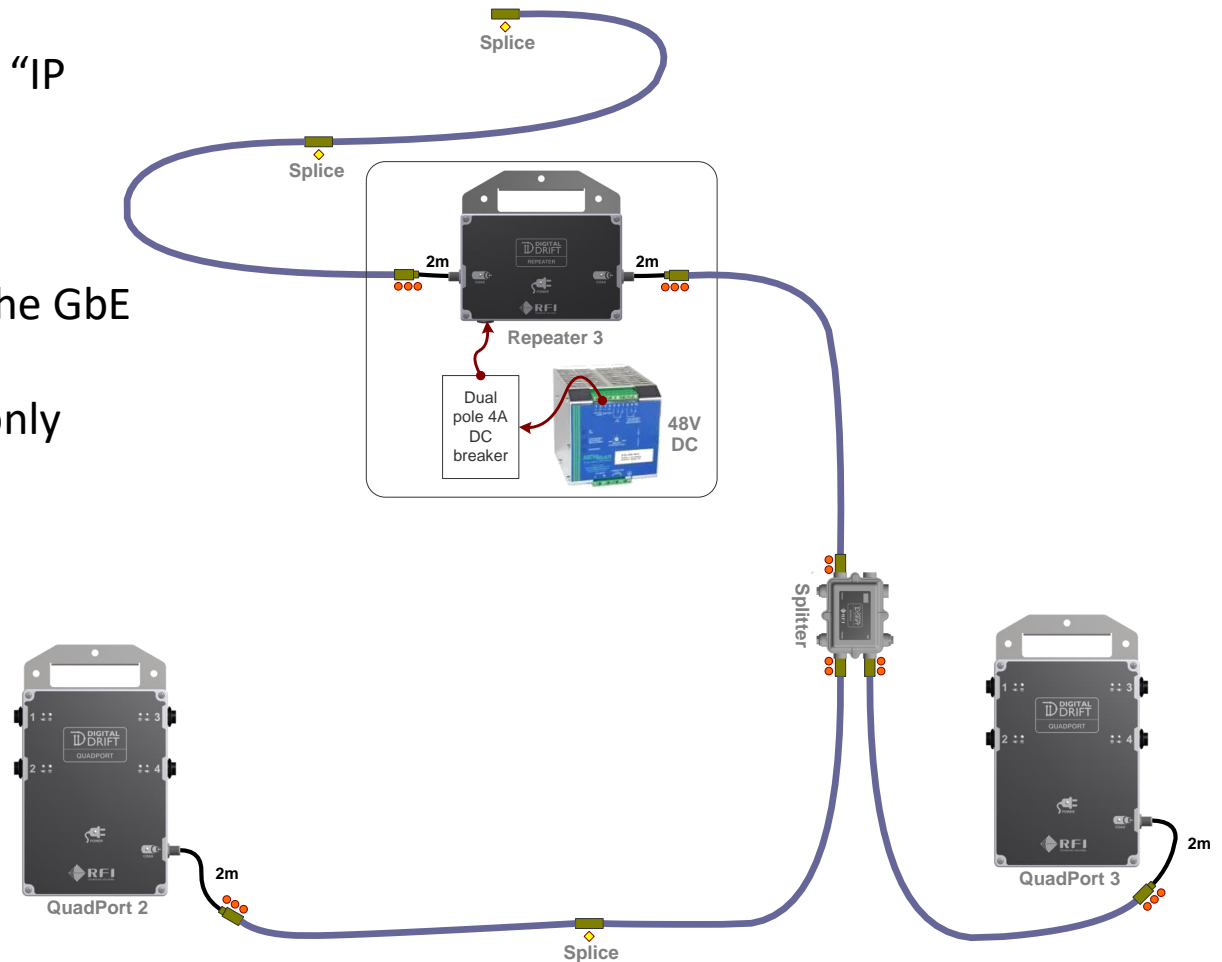
Digital Drift – Repeater Wave 2 - Configuration

Configuration – 2 coax interfaces:

- Not mandatory
- Typically, only the “name” and “IP address details” are set

VLAN Support:

- None- packets pass between the GbE and the coax unmodified
- Management interface – will only respond to untagged frames



Digital Drift – Wave 2 - MAC address conventions

The device type can be identified by the fourth set of digits of the MAC address as below:

XX:XX:XX: **CX**:XX:XX

C1 - QuadPort

C2 - Portal

C3 - Repeater (left)

C4 - Repeater (right)